



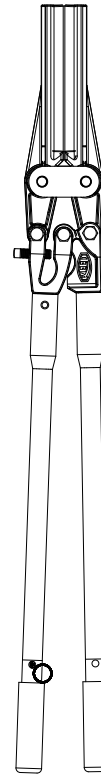
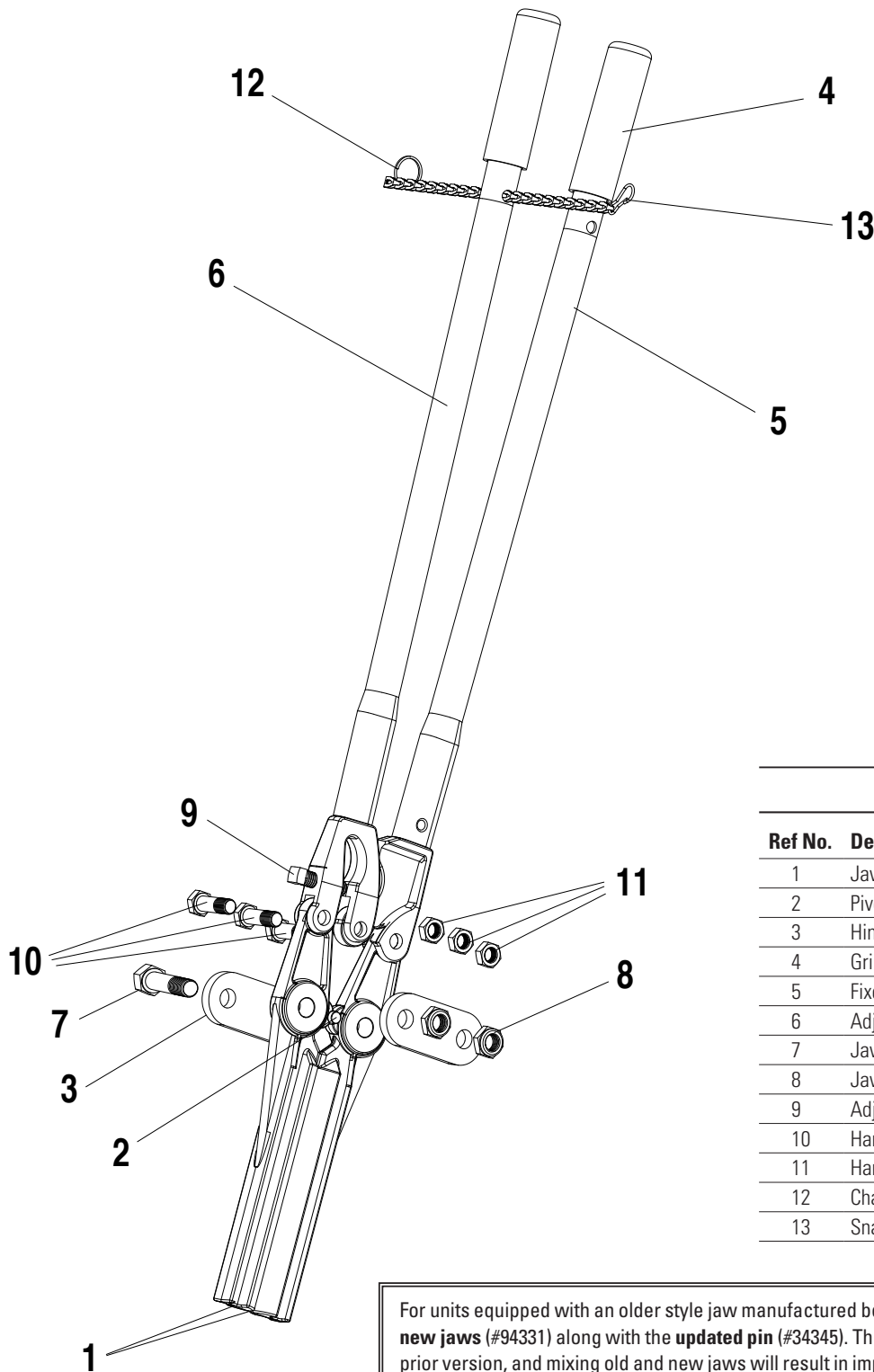
PIPE TOOLS & VISES
SINCE 1896

Standing Shut-Off Tool

Replacement Parts

Catalog No. SSO1C
Item Code #04281

Applies to: 04281



Parts List

Ref No.	Description	Item Code	Qty.
1	Jaw	94331	2
2	Pivot Pin	34345	1
3	Hinge Plate	94333	2
4	Grip	46481	2
5	Fixed Handle Assembly	94336	1
6	Adjust. Handle Assembly	94337	1
7	Jaw Bolt	94332	2
8	Jaw Nut / Hex Locknut	30111	2
9	Adjustable Set Screw	98226	1
10	Handle Screw	98228	3
11	Handle Nut	98229	3
12	Chain Assembly	99055	1
13	Snap	40205	1

For units equipped with an older style jaw manufactured before May 2025, a replacement requires **two new jaws** (#94331) along with the **updated pin** (#34345). The new jaw design is **not compatible** with the prior version, and mixing old and new jaws will result in improper fit and function. The new pin is larger than the original, and the old pin **cannot be used** with the new jaw style.

To ensure proper installation and performance, both jaws and the new pin must be replaced together.

Reed Manufacturing
1425 West 8th Street
Erie, PA 16502 USA

QUALITY
& Service
that Last a Lifetime

Phone: 800-666-3691 or +1 814-452-3691
reedsales@reedmfgco.com
www.reedmfgco.com

RP-1025-77
See also 54281 instructions