

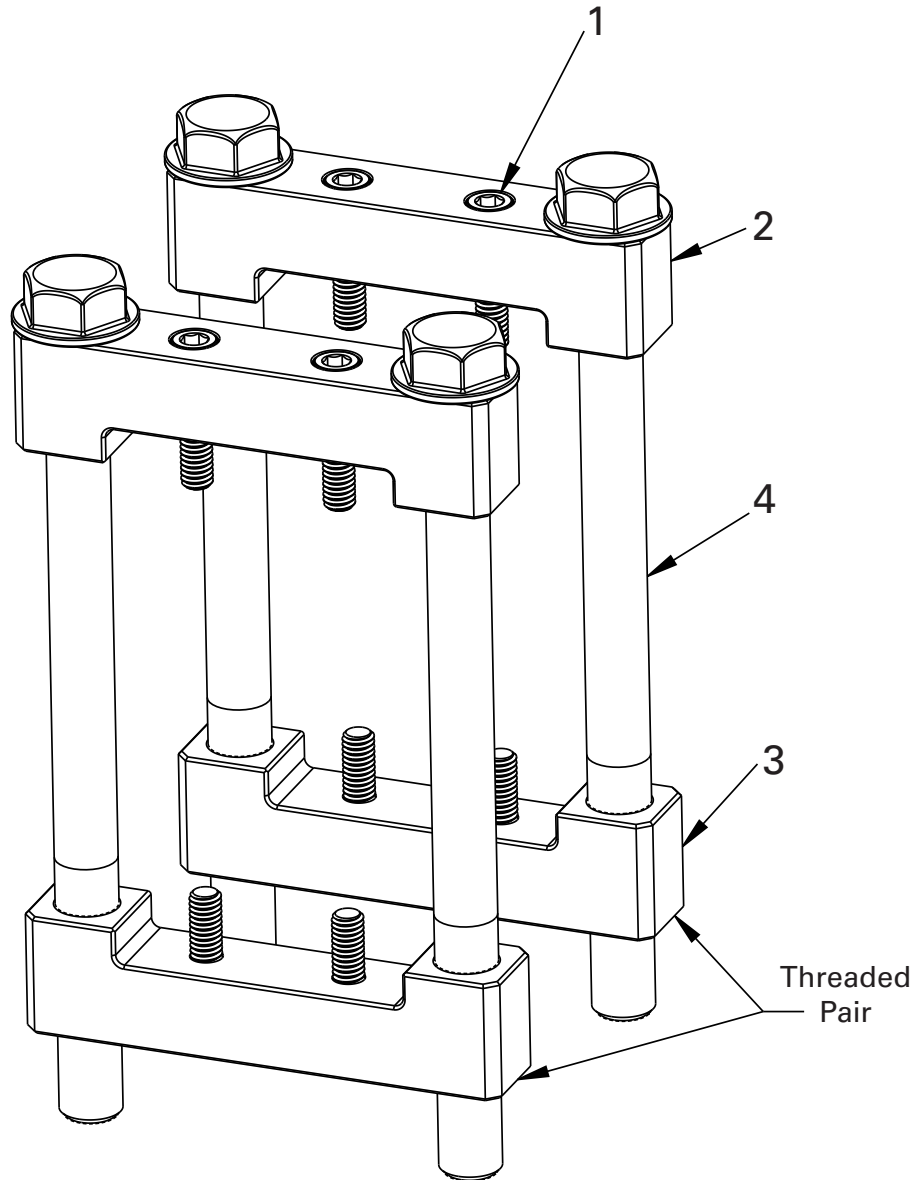


PIPE TOOLS & VISES
SINCE 1896

Double Squeeze™ Saddle Clamps

PES6DBSCS Replacement Parts

Applies to: 98284



Parts List

Ref No.	Description	Item Code	Qty.
1	Socket Head Cap Screw	38333	8
2	Top Saddle	98273	2
3	Bottom Saddle	98274	2
4	Flange Bolt	98276	4