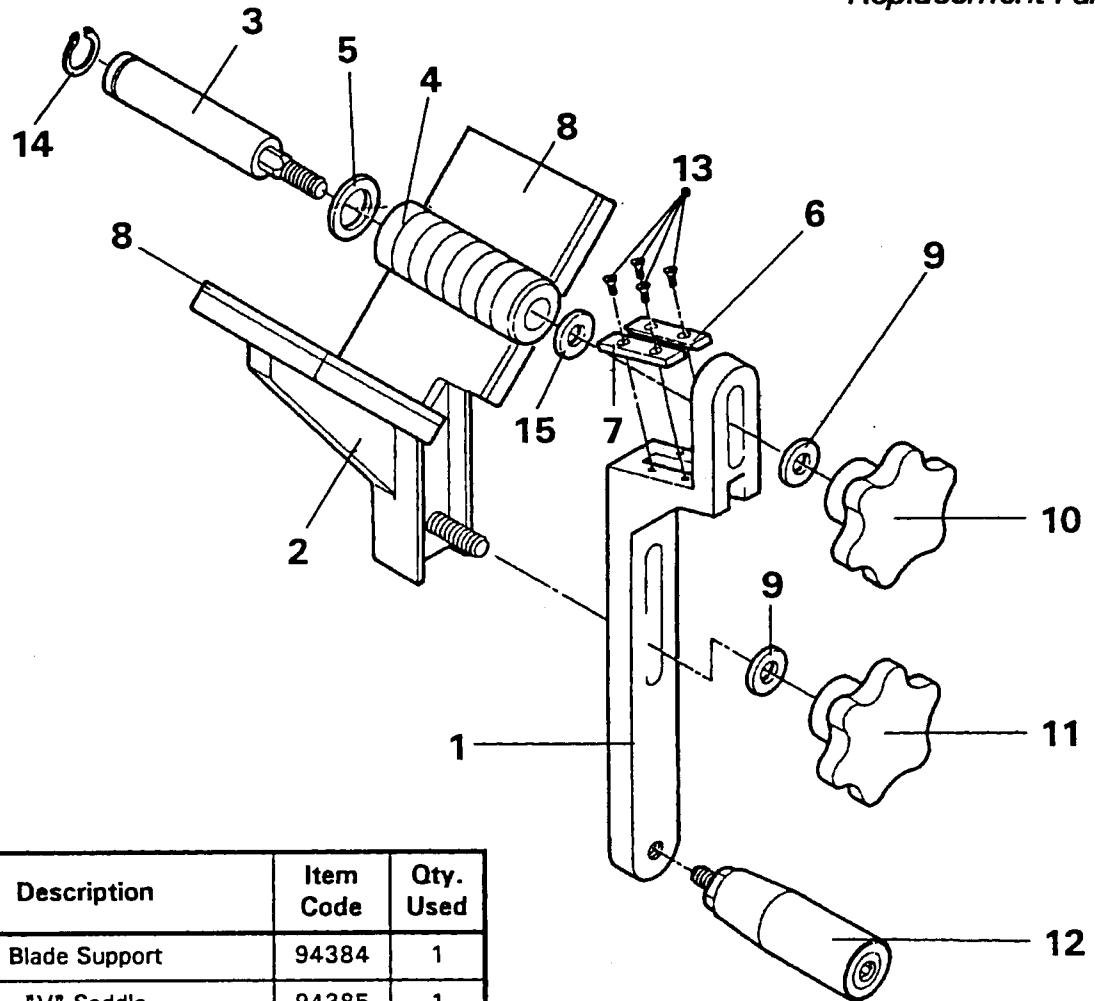




Tools for Plastic (BT1 Bevel Tool)
Replacement Parts



Ref #	Description	Item Code	Qty. Used
1	Blade Support	94384	1
2	"V" Saddle	94385	1
3	Pivot Shaft	94383	1
4	Guide Roller	94046	1
5	Spacing Collar	94387	1
6	Cutting Blade	94388	1
7	Support Blade	94386	1
8	Slide Felt (shown installed)	94389	1
9	Handle Washer	94390	2
10	Hand Wheel	94391	1
11	Hand Wheel	94392	1
12	Turning Handle	94034	1
13	Blade Screw	94393	4
14	Retaining Ring	94394	1
15	Washer	94396	1