



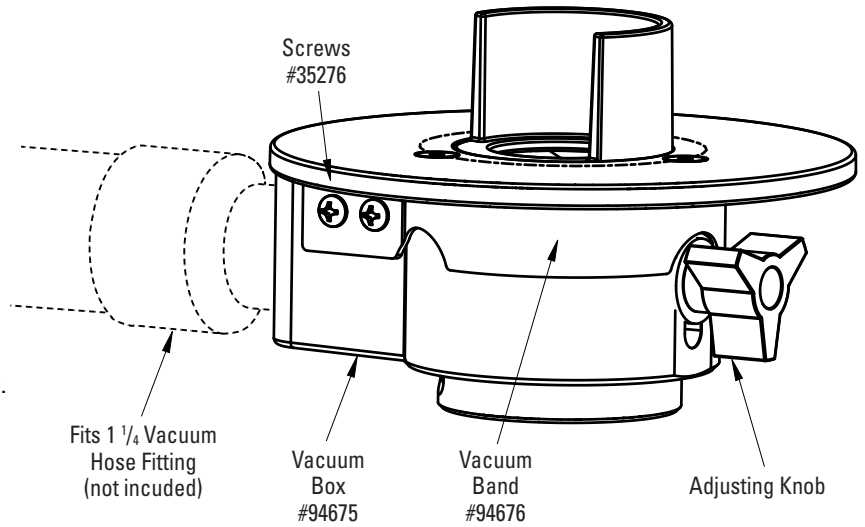
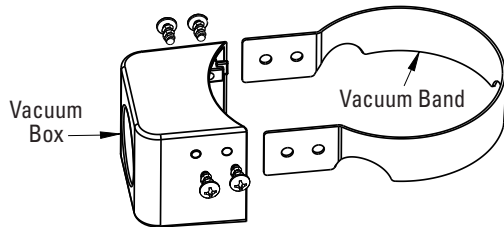
PIPE TOOLS & VISES  
SINCE 1896

# CPBVAC Bevel Boss® Vacuum Adapter Instructions

Applies to: 04675

## Assembly and Mounting Instructions

1. Remove the adjusting ring by removing adjusting knob and washer.
2. Place the vacuum box over one of the three horizontal slots depending on the desired location. If vacuum box does not fit in slots, see Special Instructions on reverse side.
3. Place the band around the adjusting ring and attach to the vacuum box with the four screws. Mount the adjusting ring back onto to the adapter.
4. Attach operator's own vacuum hose to vacuum box.



Reed Manufacturing  
1425 West 8th St.  
Erie, PA 16502 USA



Phone: 800-666-3691 or +1-814-452-3691  
reedsales@reedmfgco.com  
www.reedmfgco.com

1023-54676



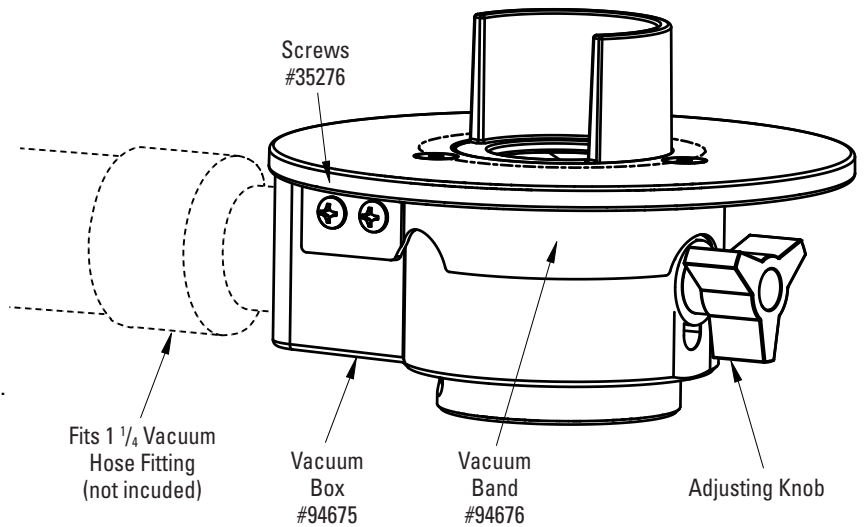
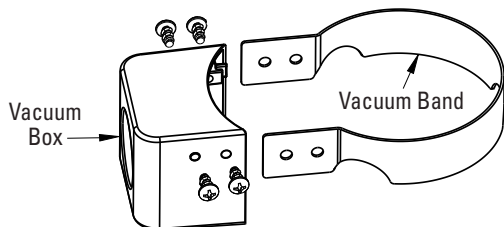
PIPE TOOLS & VISES  
SINCE 1896

# CPBVAC Bevel Boss® Vacuum Adapter Instructions

Applies to: 04675

## Assembly and Mounting Instructions

1. Remove the adjusting ring by removing adjusting knob and washer.
2. Place the vacuum box over one of the three horizontal slots depending on the desired location. If vacuum box does not fit in slots, see Special Instructions on reverse side.
3. Place the band around the adjusting ring and attach to the vacuum box with the four screws. Mount the adjusting ring back onto to the adapter.
4. Attach operator's own vacuum hose to vacuum box.



Reed Manufacturing  
1425 West 8th St.  
Erie, PA 16502 USA



Phone: 800-666-3691 or +1-814-452-3691  
reedsales@reedmfgco.com  
www.reedmfgco.com

1023-54676



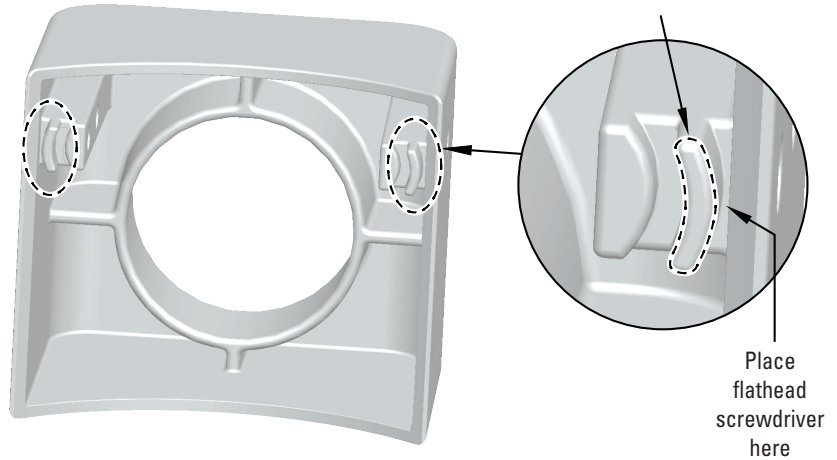
# CPBVAC Bevel Boss® Vacuum Adapter Special Instructions

## Special Instructions

If the vacuum box does not fit into the slots on the Bevel Boss®, follow the instructions below:

1. Locate the two outer tabs as shown on the figure.
2. Place a flathead screwdriver between the tab and the outer edge of the vacuum box.
3. Apply force to break off the tabs.
4. Proceed with step 3 of **Assembly and Mounting Instructions.**

**Note:** Older style adapter heads are more likely to require the tab removal



Reed Manufacturing  
1425 West 8th St.  
Erie, PA 16502 USA



Phone: 800-666-3691 or +1-814-452-3691  
reedsales@reedmfgco.com  
www.reedmfgco.com

1023-54676



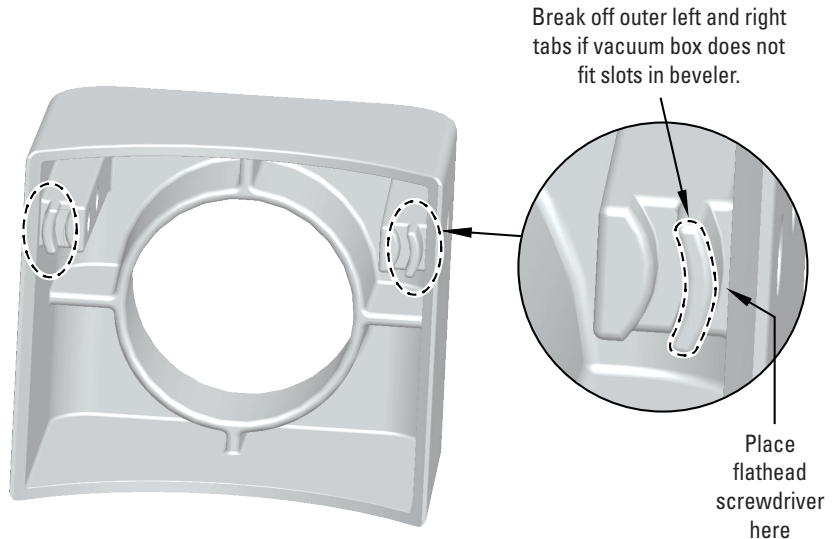
# CPBVAC Bevel Boss® Vacuum Adapter Special Instructions

## Special Instructions

If the vacuum box does not fit into the slots on the Bevel Boss®, follow the instructions below:

1. Locate the two outer tabs as shown on the figure.
2. Place a flathead screwdriver between the tab and the outer edge of the vacuum box.
3. Apply force to break off the tabs.
4. Proceed with step 3 of **Assembly and Mounting Instructions.**

**Note:** Older style adapter heads are more likely to require the tab removal



Reed Manufacturing  
1425 West 8th St.  
Erie, PA 16502 USA



Phone: 800-666-3691 or +1-814-452-3691  
reedsales@reedmfgco.com  
www.reedmfgco.com

1023-54676