

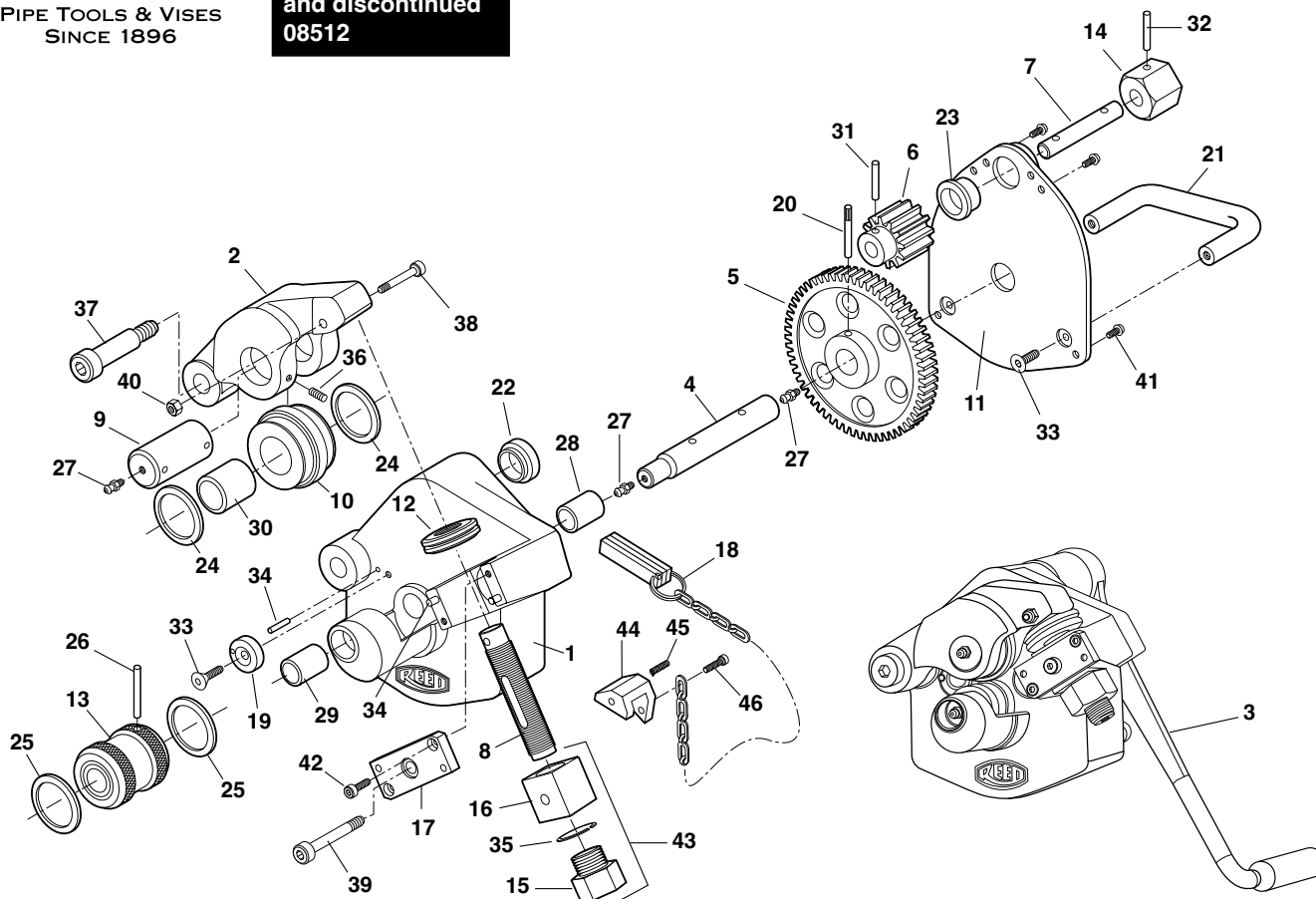


PIPE TOOLS & VISES
SINCE 1896

Applies to: 08510
and discontinued
08512

Roll Groover RG6S

Replacement Parts



Parts List

Ref No.	Description	RG6S #08510 Item Code	RG6CU #08512 Discontinued 2012, replacement parts only. Item Code	Ref No.	Description	RG6S #08510 Item Code	RG6CU #08512 Discontinued 2012, replacement parts only. Item Code
1	Main Body	98520	-	24	Washer Large	40462	40462
2	Yoke	98521	98521	25	Washer Small	40463	40463
3	Crank Handle w/ 1-1/4 Socket	98522	98522	26	Groove Pin	98570	98570
4	Drive Shaft	98523	98523	27	Grease Fitting	40338	40338
5	Drive Shaft Gear	98524	98524	28	Roller Bearing	40459	40459
6	Crank Shaft Gear	98525	98525	29	Roller Bearing	40460	40460
7	Crank Shaft	98526	98526	30	Needle Roller Bearing	40458	40458
8	Feed Screw	98527	98527	31	Roll Pin	30232	30232
9	Groove Roll Shaft	98528	98528	32	Roll Pin	30233	30233
10	Groove Roll	98529	-	33	Flat Head Socket Screw	30216	30216
11	Cover Plate Assembly	98542	98542	34	Dowel Pin	30218	30218
12	Jam Nut	98531	98531	35	Retaining Ring	30219	30219
13	Drive Roll	98532	-	36	Socket Set Screw	30224	30224
14	Crank Nut	98534	98534	37	Shoulder Screw	30228	30228
15	Feed Nut	98535	98535	38	Shoulder Screw	30229	30229
16	Trunnion	98536	98536	39	Shoulder Screw	30227	30227
17	Trunnion Plate	98537	98537	40	Lock Nut	30231	30231
18	Depth Gauge Set*	98549	-	41	Hex Machine Screw	30225	30225
19	Thrust Button	98538	98538	42	Socket Head Cap Screw	30230	30230
20	Knurled Pin	98539	98539	43	Trunnion/Feed Nut Assembly	98568	98568
21	Handle	98540	98540	44	Gauge Bracket	98545	98545
22	Bronze Bushing	40461	40461	45	Spring Plunger	40318	40318
23	Bronze Bushin	40473	40473	46	Socket Head Cap Screw	39200	39200

*0.12", 0.164" and 0.178" gauge thickness

Reed Manufacturing
1425 West 8th Street
Erie, PA 16502 USA



Phone: 800-666-3691 or +1-814-452-3691
reedsales@reedmfgco.com
www.reedmfgco.com