



PIPE TOOLS & VISES
SINCE 1896

Portable Roll Groover RG6S

Replacement Parts

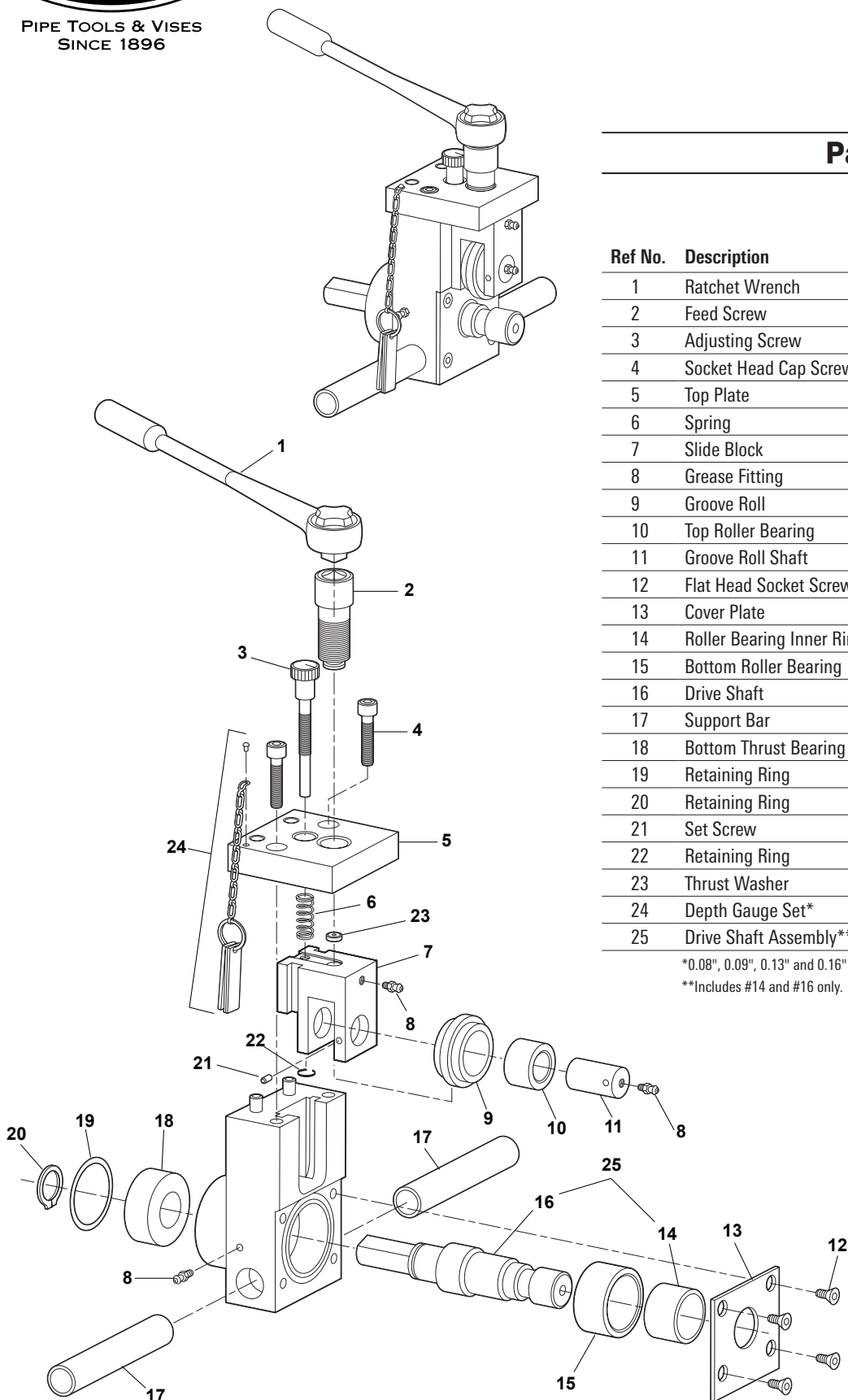
Applies to: 08500
and discontinued
08502

Parts List

Ref No.	Description	RG6S	RG6CU	Qty.
		#08500 Item Code	#08502 Discontinued 2012, replacement parts only. Item Code	
1	Ratchet Wrench	40208	40208	1
2	Feed Screw	98504	98504	1
3	Adjusting Screw	98509	98509	1
4	Socket Head Cap Screw	30217	30217	2
5	Top Plate	98502	98502	1
6	Spring	30212	30212	1
7	Slide Block	98577	98577	1
8	Grease Fitting	40338	40338	3
9	Groove Roll	98506	-	1
10	Top Roller Bearing	49207	49207	1
11	Groove Roll Shaft	98505	98505	1
12	Flat Head Socket Screw	30216	30216	4
13	Cover Plate	98503	98503	1
14	Roller Bearing Inner Ring	40430	40430	1
15	Bottom Roller Bearing	40433	40433	1
16	Drive Shaft	98507	-	1
17	Support Bar	98511	98511	2
18	Bottom Thrust Bearing	40432	40432	1
19	Retaining Ring	30207	30207	1
20	Retaining Ring	30211	30211	1
21	Set Screw	30214	30214	1
22	Retaining Ring	30209	30209	1
23	Thrust Washer	93044	93044	1
24	Depth Gauge Set*	98515	-	1
25	Drive Shaft Assembly**	98559	-	1

*0.08", 0.09", 0.13" and 0.16" thickness

**Includes #14 and #16 only.



Reed Manufacturing
1425 West 8th Street
Erie, PA 16502 USA

QUALITY
& Service
that Last a Lifetime

Phone: 800-666-3691 or +1-814-452-3691
reedsales@reedmfgco.com
www.reedmfgco.com