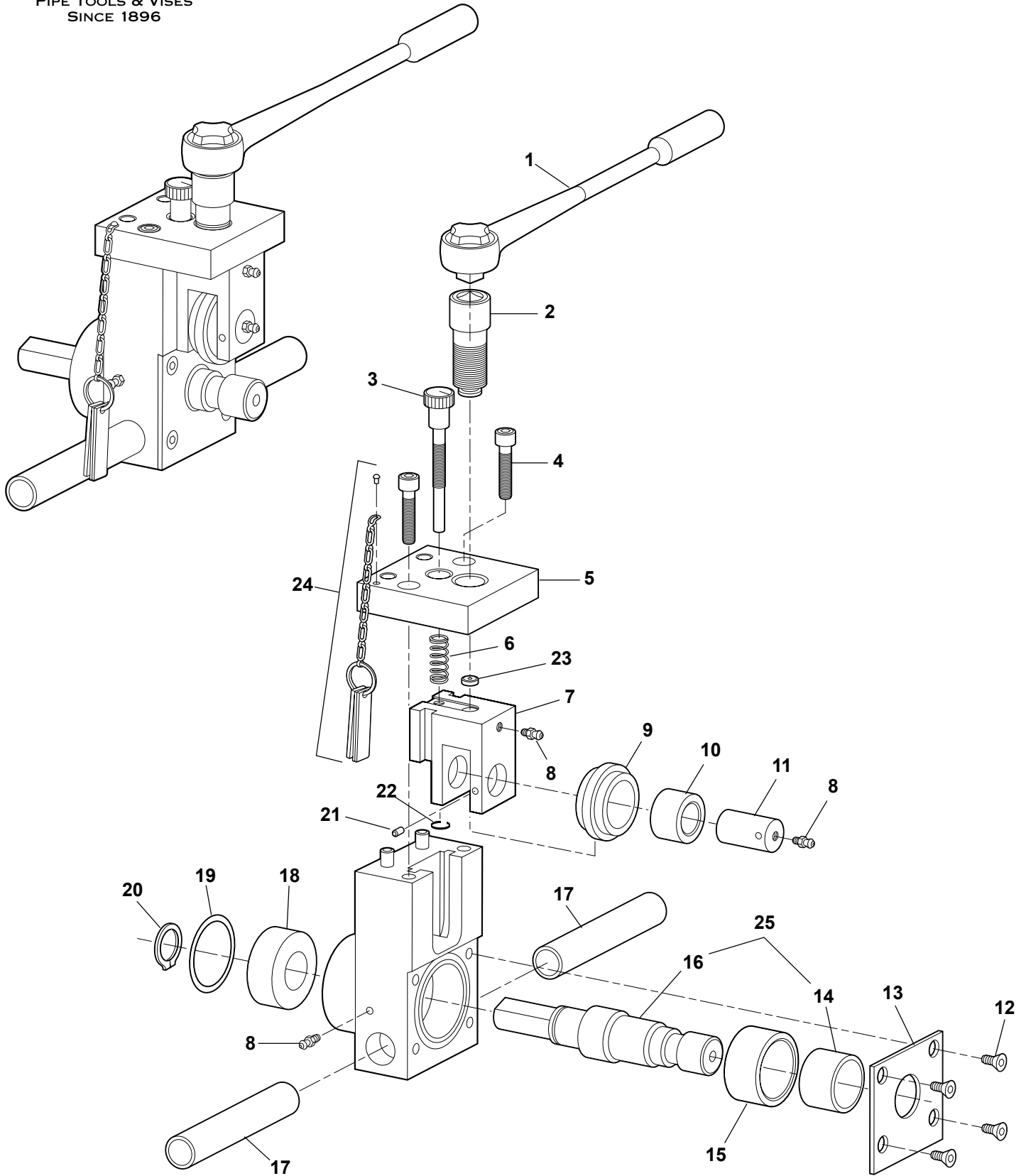




PIPE TOOLS & VISES
SINCE 1896

Portable Roll Groovers (RG6S & discontinued RG6CU)

Replacement Parts



Reed Manufacturing Company
1425 West 8th Street
Erie, PA 16502 USA



Phone: 800-666-3691 or 814-452-3691
Fax: 800-456-1697 or 814-455-1697
www.reedmfgco.com

RP-1216-27



Portable Roll Groovers (RG6S & discontinued RG6CU)

Parts List

Ref No.	Description	RG6S	RG6CU	Qty Used
		#08500 Item Code	Discontinued 2012, replacement parts only. #08502 Item Code	
1	Ratchet Wrench	40208	40208	1
2	Feed Screw	98504	98504	1
3	Adjusting Screw	98509	98509	1
4	Socket Head Cap Screw	30217	30217	2
5	Top Plate	98502	98502	1
6	Spring	30212	30212	1
7	Slide Block	98577	98577	1
8	Grease Fitting	40338	40338	3
9	Groove Roll	98506	98518	1
10	Top Roller Bearing	49207	49207	1
11	Groove Roll Shaft	98505	98505	1
12	Flat Head Socket Screw	30216	30216	4
13	Cover Plate	98503	98503	1
14	Roller Bearing Inner Ring	40430	40430	1
15	Bottom Roller Bearing	40433	40433	1
16	Drive Shaft	98507	98519	1
17	Support Bar	98511	98511	2
18	Bottom Thrust Bearing	40432	40432	1
19	Retaining Ring	30207	30207	1
20	Retaining Ring	30211	30211	1
21	Set Screw	30214	30214	1
22	Retaining Ring	30209	30209	1
23	Thrust Washer	93044	93044	1
24	Depth Gauge Set	98515	98567	1
25	Drive Shaft Assembly*	98559	98558	1

* Includes #14 and #16 only.