



PIPE TOOLS & VISES
SINCE 1896

REED MANUFACTURING

1425 West 8th Street, PO Box 1321 • Erie, PA USA 16512-1321 • Phone: +1-814-452-3691 or 800-666-3691 • reedsales@reedmfgco.com • www.reedmfgco.com

REED Double Squeeze™ PE Squeeze Tool

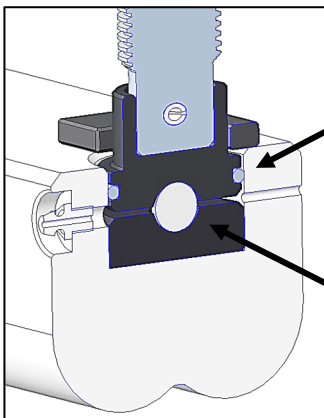
PES4DB #04336 - PES4DBM #04337



Double bar design improves the quality of flow control

Fig 1: Cross section of tool

Friction components of ACME screw



O-ring keeps dirt and debris from reaching the ball bearing

Ball Bearing Design decreases effort required to squeeze by approx. 30%.

Tool Specifications:	
Tool Weight	35.5 lbs 16.1 kg
Pipe Capacity	2-4 in #04336 75 - 100 mm #04337
Tool Dimensions	19 x 3.25 x 17.5 inches 48.3 x 8.3 x 44.5 cm

Tool Features:

- High strength ACME screw
- Double Bar Configuration
- Ball Bearing Design (30% more force)
- Rigid Rectangular Bars
- O-ring keeps out Contaminants
- Swing Out Bottom Bar
- Ergonomic Bottom Bar Grooves (Eases in Lifting)
- ASTM Standards Displayed on Tool
- Sliding ACME Screw Handle
- Lightweight Aluminum Construction

Accessories:

Catalog No.	Item Code	Description
PES4STOP	98094	Standard Stops
PES4MM	98121	Standard Stops - Metric
PES4CASE	98299	Red Case
PES4CCST	98381	Color-Coded Stops with 4" SDR9