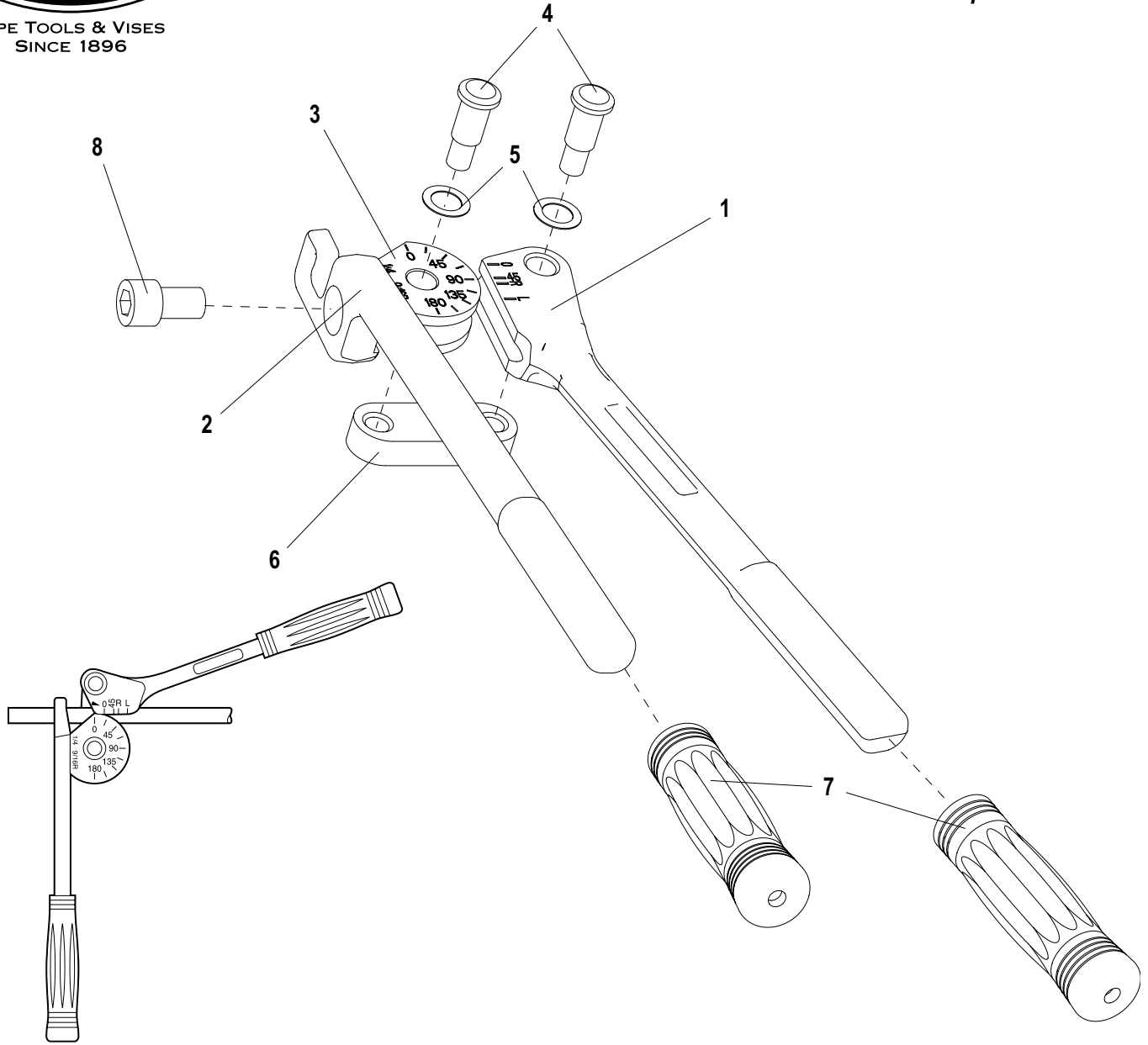




PIPE TOOLS & VISES
SINCE 1896

TB02, TB04, TB06, TB08, TB12 - Tubing Bender

Replacement Parts



Parts List

Ref. No.	Description	TB02 02741 Item Code	TB04 02745 Item Code	TB06 02746 Item Code	TB08 02747 Item Code	TB12 02749 Item Code	Quantity Used
1	Guide Shoe	92680	92740	92748	92756	92900	1
2	Tube Clamp	92681	92741	92749	92757	92913	1
3	Form Wheel	92682	92742	92750	92758	92902	1
4	Pin	92685	92743	92751	92759	92904	2
5	Curved Spring Washer	92745	92745	92753	92761	92908	2
6	Swing Bar	92683	92744	92752	92760	92906	1
7	Vinyl Hand Grip	—	92746	92754	92762	92909	2
8	Soc. Head Cap Screw	92684	32747	32755	32763	32910	1

Reed Manufacturing
1425 West 8th Street
Erie, PA 16502 USA

QUALITY
& Service
that Last a Lifetime

Phone: 800-666-3691 or +1-814-452-3691
reedsales@reedmfgco.com
www.reedmfgco.com

RP-0121-87