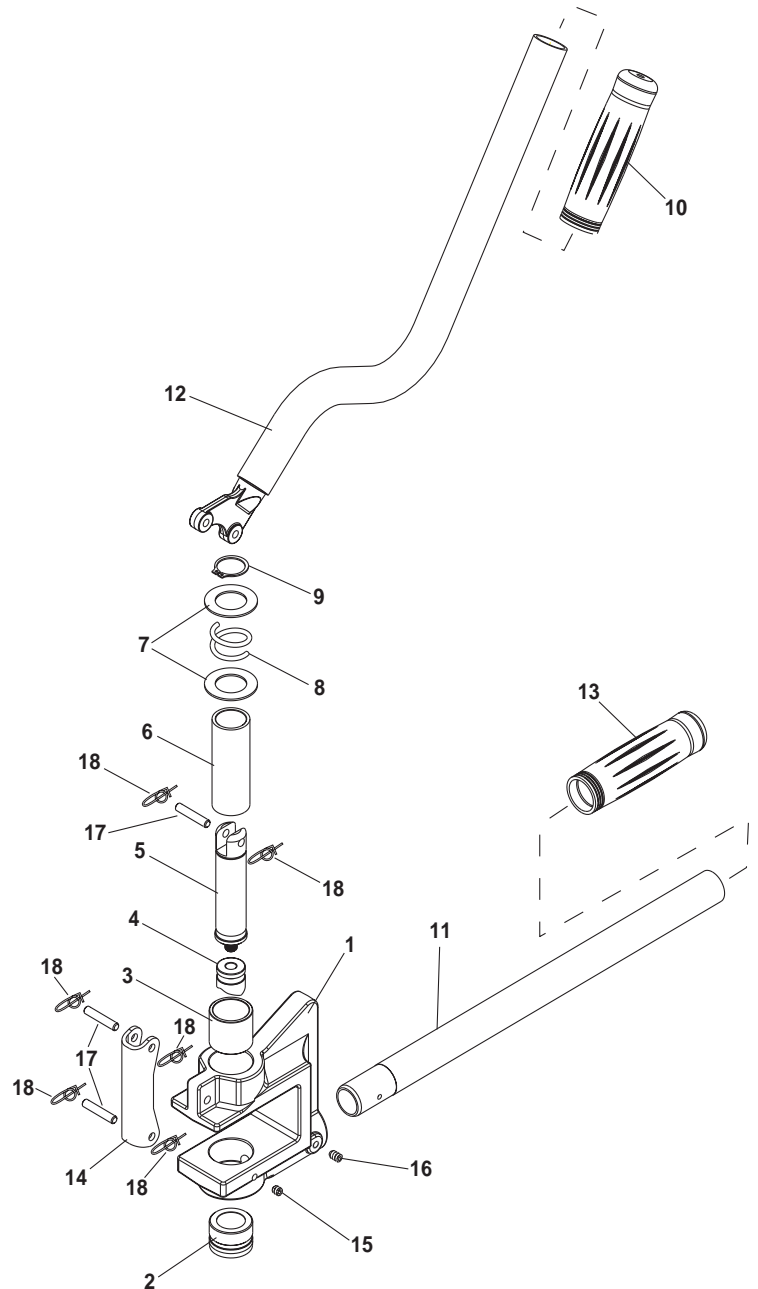
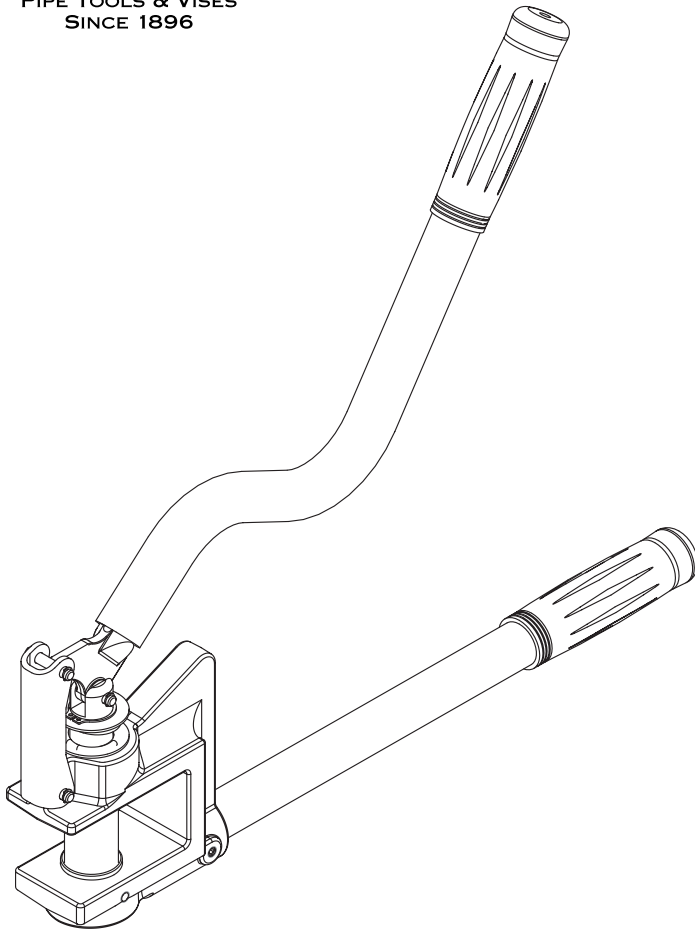




PIPE TOOLS & VISES
SINCE 1896

Stud Punch

Replacement Parts



Parts List

Ref. No.	Description	STP709 Item Code	STP710 Item Code	Compares to Greenlee 710 Part No.	Qty. Used
1	Main Body	96476	96494	502 3407.2	1
2	Bottom Guide Die	96469	96493	—	1
3	Top Guide	96483	96489	—	1
4	Punch	96478	96492	502 4823.5	1
5	Punch Holder	96467	96491	502 1296.6	1
6	Sleeve	96466	96490	502 1295.8	1
7	Washer	96464	96464	502 1303.2	2
8	Spring	96465	96465	502 1557.4	1
9	Large Clip	36461	36461	905 1361.4	1
10	Formed Handle Grip	46481	46481	905 3268.6	1
11	Straight Handle	96475	96475	502 1298.2	1
12	Hinge Assembly	96460	96460	503 0269.8	1
13	Grip	40095	40095	905 1174.3	1
14*	Linkage	96463	96463	503 6617.3	1
15	Flat Point Set Screw	36462	36462	905 0617.0	1
16	Half Dog Point Set Screw	36463	36463	905 0764.9	1
17*	Pin	96482	96482	—	3
18*	Ring	36497	36497	—	6

*Pin-Link Kit (#96471) contains #14 (1 qty), #17 (2 qty), and #18 (4 qty) to have a linkage assembly all in one packet.

Reed Manufacturing Company
1425 West 8th St.
Erie, PA 16502 USA



Phone: 800-666-3691 or 814-452-3691
Fax: 800-456-1697 or 814-455-1697
www.reedmfgco.com

RP-304-56