



Round It[®] Straightener / Rerounder Operating Instructions

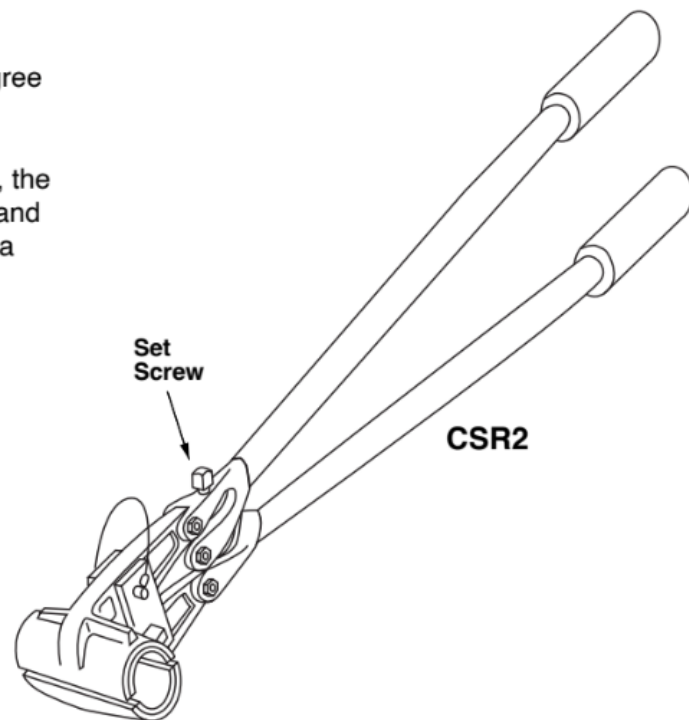
Applies to: 08220

CSR2

Warning — Use Only with “K” Copper

The tool is designed to allow straightening or rounding anywhere along a length of Type K copper tubing. Results may vary due to pre-existing conditions such as degree of out-of-roundness, as well as work hardening or age hardening of the copper.

1. Place the tool over the copper tube to be rounded. By backing off the set screw, the jaws will open sufficiently to slip over the side of the tube. Close the jaws and hand tighten the set screw. Now repeatedly open the jaws, tighten the set screw half a turn and close the jaws until the copper tube is round.
2. Depending on the condition of the tube, it may be necessary to rotate the tool 90°, then re-squeeze to achieve the desired roundness.
NOTE: If the tube is too bent or crimped (i.e. squeezed down to stop the flow), it cannot be properly rerounded. The section of tubing must be cut out.
3. This process may be repeated on adjacent sections, if a longer rounded section is required.
4. The tool may be used for straightening or uncoiling Type K copper tubing. Grip the tubing tightly with the handle aligned with the bend and apply a length of 2" I.D. thinwall steel tube 18" long as an extension to the handle of the tool, if extra leverage is needed. Never strike the tool with a hammer.



Reed Manufacturing
1425 West 8th Street
Erie, PA 16502 USA

QUALITY
& **Service**
that Last a Lifetime

Phone: 800-666-3691 or 814-452-3691
reedsales@reedmfgco.com
www.reedmfgco.com

0426-50494