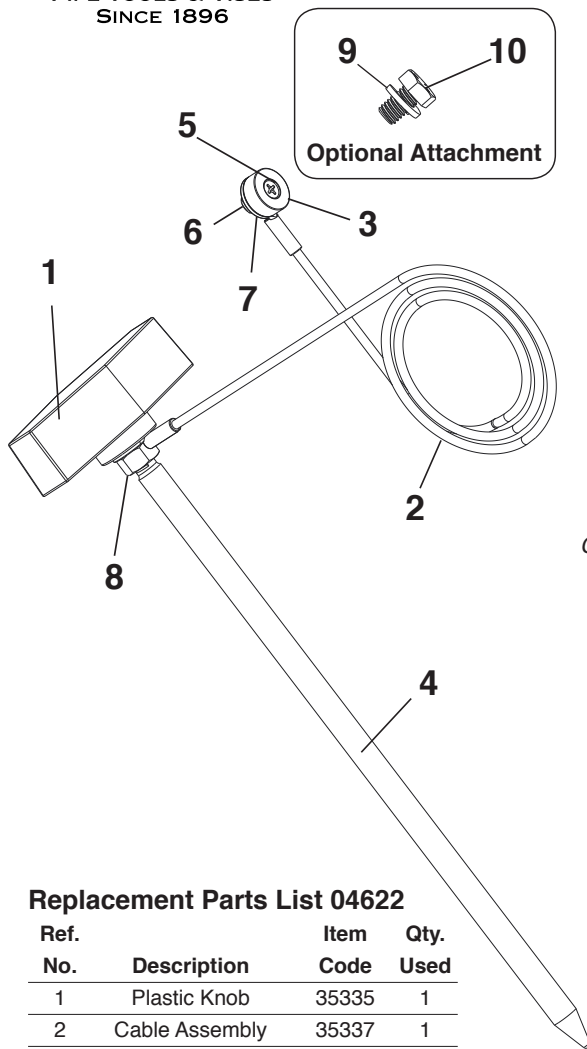




PIPE TOOLS & VISES  
SINCE 1896

# Static Grounding Device PEGRM -with magnet attachment



Connection example shown on RSP2 Ratchet Shears.

- Ground all tools.
- Periodically verify that continuity is maintained from ground probe to tool.

### PEGRM Operating Instructions:

- When selecting a surface to place the magnet attachment, the surface **MUST** be:
  - Electrically conductive from the pipe contact point to the selected surface.
  - Electrically conductive from the selected surface to the magnet attachment.
    - \* Check to see if any coatings have been applied (most are non-conductive).
  - Magnetic between the surface and the magnet attachment.
- Once a stable, flat surface is chosen, place the crosshead side of the magnet attachment onto selected surface.
- Magnets are prone to fracture due to impact forces, use caution when placing the magnet.
- Before and periodically during the use of the Grounding Device, check the continuity between the tool and the Grounding Device.
- Grab the T-handle and proceed to push the Grounding Device into the earth.
- Stop pushing once the vertical probe is no longer visible.
- "Hammering in" and similar methods of insertion are not recommended on the Grounding Device.
- Remove the Grounding Device only when all relevant work is complete and when tools are no longer in any contact with the serviced pipe.

### Optional Attachment

- If it's desired to attach the tool directly with a bolt, the magnet attachment can be easily removed and replaced with a provided 5/16 bolt and lock washer.

### Replacement Parts List 04622

Ref. No.	Description	Item Code	Qty. Used
1	Plastic Knob	35335	1
2	Cable Assembly	35337	1
3	Magnet	35336	1
4	Ground Probe	98088	1
5	Flat Head Screw	23320	1
6	Locknut	37398	1
7	Washer	23372	1
8	Nut	30022	1
9	Lock Washer	30175	1
10	Bolt	30134	1

### General Operating Instructions:

Because static electricity can build up on plastic pipe, there is a possibility of a spark discharge of sufficient energy to cause ignition if the proper air/gas mixture is present. Precautions can be taken to dissipate the charge, and minimize the possibility of an ignition. This will maximize the personal safety of the crew. These precautions should be followed as a minimum, conditions may require additional measures.

- To provide dissipation for static charge, wet down surfaces with conductive fluids and/or apply conductive films or fabrics to the pipe. Keep precautions in place until procedures are complete.

Additional information on static electricity is available in the PPI Handbook of Polyethylene Pipe 2nd Edition.

Reed Manufacturing Company  
1425 West 8th Street  
Erie, PA 16502 USA



Phone: 800-666-3691 or 814-452-3691  
Fax: 800-456-1697 or 814-455-1697  
www.reedmfgco.com

0918-50059