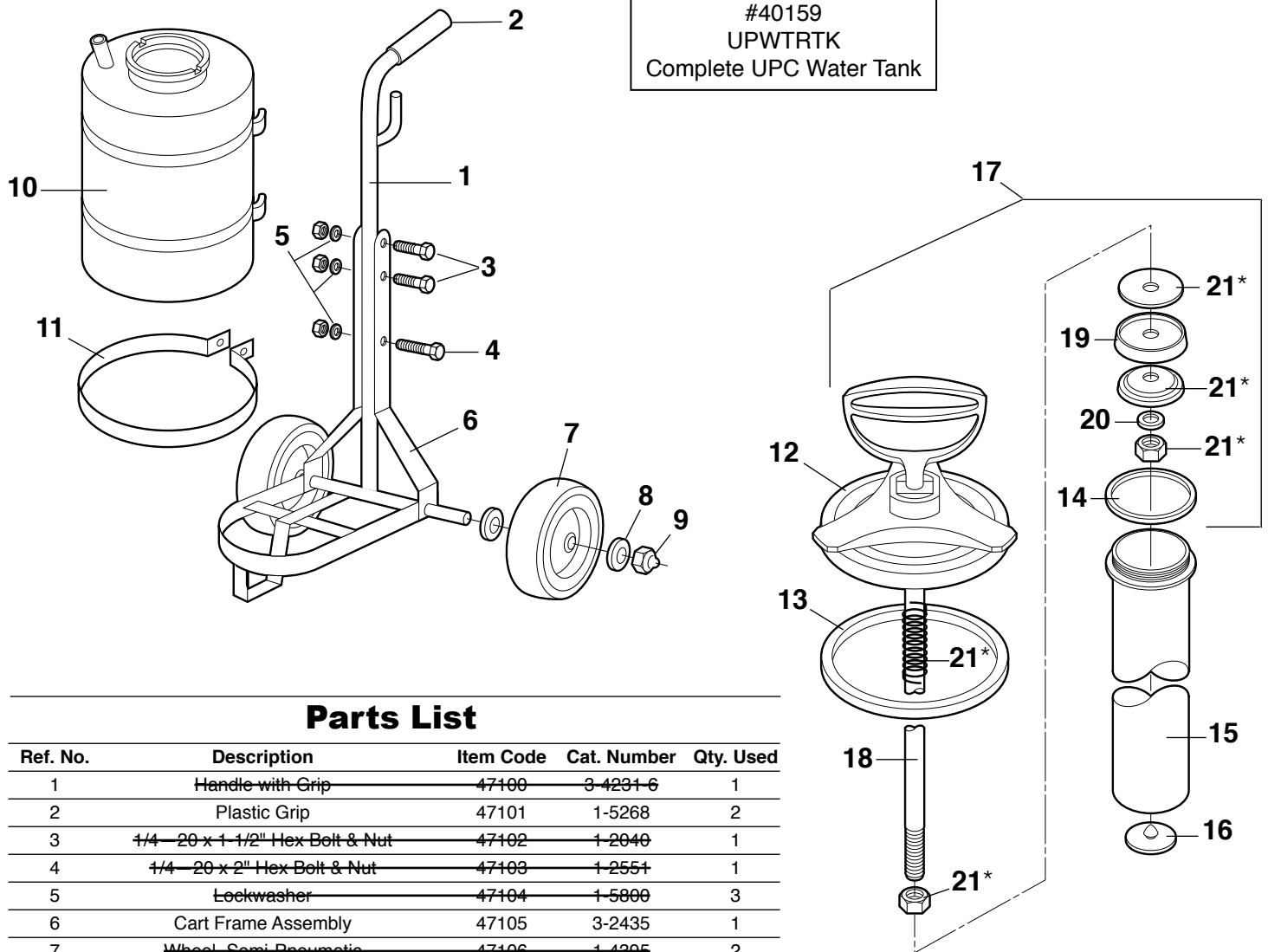




PIPE TOOLS & VISES
SINCE 1896

UPC Water Tank

Replacement Parts



Parts List

Ref. No.	Description	Item Code	Cat. Number	Qty. Used
1	Handle with Grip	47100	3-4231-6	1
2	Plastic Grip	47101	1-5268	2
3	1/4" - 20 x 1-1/2" Hex Bolt & Nut	47102	1-2040	1
4	1/4" - 20 x 2" Hex Bolt & Nut	47103	1-255+	1
5	Lockwasher	47104	1-5800	3
6	Cart Frame Assembly	47105	3-2435	1
7	Wheel, Semi-Pneumatic	47106	1-4395	2
8	Washer	47107	1-4397	4
9	Speed Nut	47108	1-5783	2
10	Tank, 6-gallon Stainless Steel	47109	3-1749	1
11	Retaining Band	47110	2-5439	1
12	Pump Cap w/ locking lever & gasket	47111	3-7268	1
13	Gasket for pump cap 4-7/8" O.D.	47112	1-3382-1	1
14	Gasket for pump barrel 2-1/4" O.D.	47113	1-2531-1	1
15	Pump Barrel, with valve & gasket	47114	3-7020-1	1
16	Rubber Valve	47115	1-4324	1
17	Plunger rod complete with pump cap	47116	3-7535-1	1
18	Plunger rod w/handle assembly only (plated)	47118	3-7155-4	1
19	Plunger Cup (1-2690)	47121	3-3538	1
20	Lock Washer for Plunger	47123	1-5800	1
21*	Hardware Kit: Coil Spring, Hex Nut (2), Backing Washer & Cup Disk Spreader	47124		1

Reed Manufacturing Company
1425 West 8th Street
Erie, PA 16502 USA

QUALITY
& Service
that Last a Lifetime

Phone: 800-666-3691 or 814-452-3691
Fax: 800-456-1697 or 814-455-1697
www.reedmfgco.com

RP-1218-40