



Meter Pit Pump Instructions



MP200HB

MP125	#02330
MP125HB	#02331
MP200	#02332
MP200HB	#02333

The Reed Meter Pit Pumps (MP125 & MP200) and Meter Pit Pumps with Hose Barb (MP125HB & MP200HB) pull water out of flooded pits to make work more visible, convenient and safe.

The MP125 and MP200 pumps include a barb fitting at the outlet to attach the MPH125 or MPH200 6' hose.

The MP125HB and MP200HB have an additional barb fitting at the inlet for more pumping options. Additional hose can be added to the bottom barb fitting for easier, deeper pumping.

Always wear safety glasses.

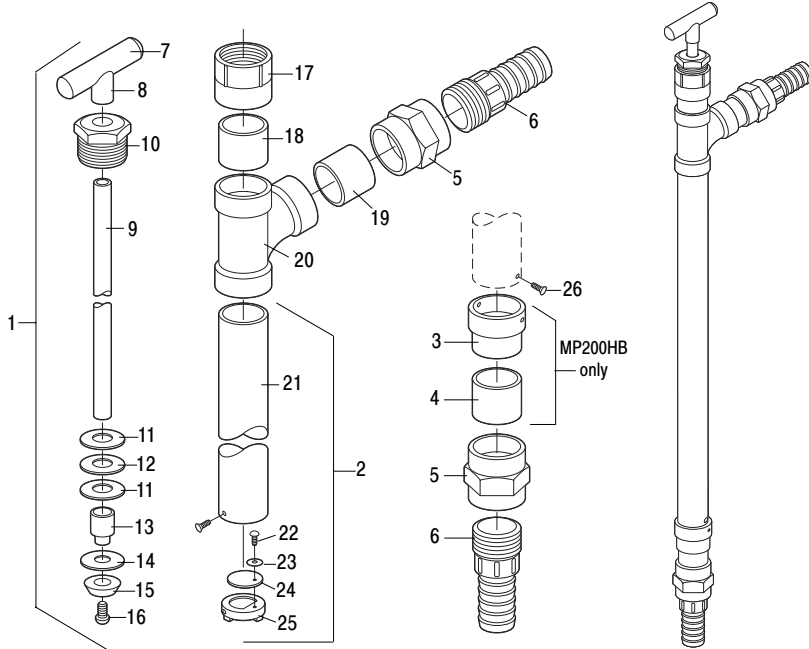
- Attach hose to pump outlet. Tighten hose clamp. The hose can also be attached to the inlet on the MP125HB and MP200HB pumps.
- Hold pump in one hand. Pull/push pump handle to begin pumping action.
- Continue to pump at a steady pace until pit is clear of water. Continue pumping to clear pump of all water.
- It is very important to lubricate the pump shaft with a heavy lithium based grease to extend the life of the seals and to minimize water leakage. Pumps are greased prior to shipment.





Meter Pit Pumps

Replacement Parts



Ref. No.	Description	MP125 Item Code	MP125HB Item Code	MP200 Item Code	MP200HB Item Code	Qty
1	Shaft Sub-Assembly	02317	02317	02321	02321	1
2	Tube Sub-Assembly	02316	02316	02320	02320	1
3	Reducer	—	—	—	93339	1
4	PVC Nipple	—	—	—	93228	1
5	Female Adapter	23309	23309*	23322	23322*	1
6	Male Adapter (Barb)	23317	23317*	23340	23340*	1
7	Handle	93205	93205	93229	93229	1
8	Finger Protector	93207	93207	93230	93230	1
9	Pump Shaft	93206	93206	93231	93231	1
10	Threaded Plug	93214	93214	93235	93235	1
11	PE Washer	23313	23313	23332	23332	2
12	Rubber Washer -Top	23314	23314	23333	23333	1
13	Sleeve	93209	93209	93236	93236	1
14	Rubber Washer - Bottom	23315	23315	23341	23341	1
15	PVC Cone	93208	93208	93237	93237	1
16	Round Head Machine Screw	23319	23319	23319	23319	1
17	Female Adaptor	23309	23309	23321	23321	1
18	PVC Nipple	93212	93212	93225	93225	1
19	PVC Nipple	93212	93212	93228	93228	1
20	Reducing Sanitary Tee	23310	23310	23323	23323	1
21	2" PVC Pipe	93211	93211	93224	93224	1
22	Sheet Metal Screw	23325	23325	23325	23325	1
23	Flat Washer	23326	23326	23326	23326	1
24	Rubber Flap	23312	23312	23327	23327	1
25	Bottom Casing - Aluminum	93213	93213	93227	93227	1
26	Sheet Metal Screw	23320	23308	23320	23308	2

*Required for both hose barb positions.

Reed Manufacturing Co.
 1425 West 8th St.
 Erie, PA USA 16502
 Phone 814-452-3691 or 800-666-3691
 Fax: 814-455-1697 or 800-456-1697

