



Clean Ream Extreme®

Instructions

PPR75, PPR100, PPR125, PPR150, PPR200, PPR250, PPR300, PPR400

Applies to: 04521, 04522, 04523, 04524, 04525, 04526, 04527, 04528, 04532
Plus Discontinued: 04520, 04529

ASSEMBLY

1. Insert Shaft into Body.
2. Make sure shaft is all the way through and flush with the bottom of the reamer.
3. Using a 1/8" Allen wrench, tighten set screw.

Note: These reamers can be used with standard drills, cordless drills, or impact drills. For most effective use, run the drill at a low or medium RPM.

WARNING: 3" and 4" fitting reamers create a large reaction torque that can cause injury to operator, therefore a standard 1/2" right angle drill is recommended. Use caution when using these tools. For reaming 3" or 4", a lower RPM is recommended to reduce heat and possible distortion of the fitting.

INSTRUCTIONS

1. Cut damaged pipe as close to fitting as possible.
2. Select proper size fitting borer, put it in drill chuck, and tighten. A standard 1/2" right angle drill is recommended.
3. Insert fitting reamer into broken pipe, ensure tool stays on center to prevent binding. If no chips are being made, remove tool and check.
4. Ream old pipe until proper depth is attained.
5. Remove drill and clean out chips from fitting.

NOT recommended for high pressure supply systems or for vent side of gas burning appliance piping systems.

Reed Manufacturing
Erie, PA USA

www.reedmfgco.com

0223-54521



Clean Ream Extreme®

Instructions

PPR75, PPR100, PPR125, PPR150, PPR200, PPR250, PPR300, PPR400

Applies to: 04521, 04522, 04523, 04524, 04525, 04526, 04527, 04528, 04532
Plus Discontinued: 04520, 04529

ASSEMBLY

1. Insert Shaft into Body.
2. Make sure shaft is all the way through and flush with the bottom of the reamer.
3. Using a 1/8" Allen wrench, tighten set screw.

Note: These reamers can be used with standard drills, cordless drills, or impact drills. For most effective use, run the drill at a low or medium RPM.

WARNING: 3" and 4" fitting reamers create a large reaction torque that can cause injury to operator, therefore a standard 1/2" right angle drill is recommended. Use caution when using these tools. For reaming 3" or 4", a lower RPM is recommended to reduce heat and possible distortion of the fitting.

INSTRUCTIONS

1. Cut damaged pipe as close to fitting as possible.
2. Select proper size fitting borer, put it in drill chuck, and tighten. A standard 1/2" right angle drill is recommended.
3. Insert fitting reamer into broken pipe, ensure tool stays on center to prevent binding. If no chips are being made, remove tool and check.
4. Ream old pipe until proper depth is attained.
5. Remove drill and clean out chips from fitting.

NOT recommended for high pressure supply systems or for vent side of gas burning appliance piping systems.

Reed Manufacturing
Erie, PA USA

www.reedmfgco.com

0223-54521



Clean Ream Extreme®

Instructions

PPR75, PPR100, PPR125, PPR150, PPR200, PPR250, PPR300, PPR400

Applies to: 04521, 04522, 04523, 04524, 04525, 04526, 04527, 04528, 04532
Plus Discontinued: 04520, 04529

ASSEMBLY

1. Insert Shaft into Body.
2. Make sure shaft is all the way through and flush with the bottom of the reamer.
3. Using a 1/8" Allen wrench, tighten set screw.

Note: These reamers can be used with standard drills, cordless drills, or impact drills. For most effective use, run the drill at a low or medium RPM.

WARNING: 3" and 4" fitting reamers create a large reaction torque that can cause injury to operator, therefore a standard 1/2" right angle drill is recommended. Use caution when using these tools. For reaming 3" or 4", a lower RPM is recommended to reduce heat and possible distortion of the fitting.

INSTRUCTIONS

1. Cut damaged pipe as close to fitting as possible.
2. Select proper size fitting borer, put it in drill chuck, and tighten. A standard 1/2" right angle drill is recommended.
3. Insert fitting reamer into broken pipe, ensure tool stays on center to prevent binding. If no chips are being made, remove tool and check.
4. Ream old pipe until proper depth is attained.
5. Remove drill and clean out chips from fitting.

NOT recommended for high pressure supply systems or for vent side of gas burning appliance piping systems.

Reed Manufacturing
Erie, PA USA

www.reedmfgco.com

0223-54521



Clean Ream Extreme®

Instructions

PPR75, PPR100, PPR125, PPR150, PPR200, PPR250, PPR300, PPR400

Applies to: 04521, 04522, 04523, 04524, 04525, 04526, 04527, 04528, 04532
Plus Discontinued: 04520, 04529

ASSEMBLY

1. Insert Shaft into Body.
2. Make sure shaft is all the way through and flush with the bottom of the reamer.
3. Using a 1/8" Allen wrench, tighten set screw.

Note: These reamers can be used with standard drills, cordless drills, or impact drills. For most effective use, run the drill at a low or medium RPM.

WARNING: 3" and 4" fitting reamers create a large reaction torque that can cause injury to operator, therefore a standard 1/2" right angle drill is recommended. Use caution when using these tools. For reaming 3" or 4", a lower RPM is recommended to reduce heat and possible distortion of the fitting.

INSTRUCTIONS

1. Cut damaged pipe as close to fitting as possible.
2. Select proper size fitting borer, put it in drill chuck, and tighten. A standard 1/2" right angle drill is recommended.
3. Insert fitting reamer into broken pipe, ensure tool stays on center to prevent binding. If no chips are being made, remove tool and check.
4. Ream old pipe until proper depth is attained.
5. Remove drill and clean out chips from fitting.

NOT recommended for high pressure supply systems or for vent side of gas burning appliance piping systems.

Reed Manufacturing
Erie, PA USA

www.reedmfgco.com

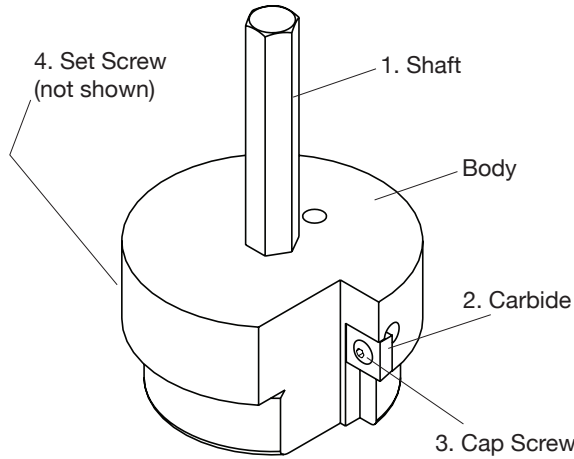
0223-54521



Clean Ream Extreme®

Parts

PPR75, PPR100, PPR125, PPR150, PPR200, PPR250, PPR300, PPR400



Parts List

Ref. No.	Description	3/4" - 1"	1-1/4" - 4"	Qty.
1	SHAFT	44525	44524	1
2	CARBIDE INSERT	24523	24524	1
3a	8-32 CAP SCREW	—	24525	1
3b	4-40 CAP SCREW	24522	—	1
4	1/4" - 20 SET SCREW	30087	30087	1

Rotate Carbide Insert: Carbide insert has four cutting edges. Change cutting edge by removing the cap screw and rotating the carbide 180° then reinsert cap screw and tighten. Replace carbide as needed.

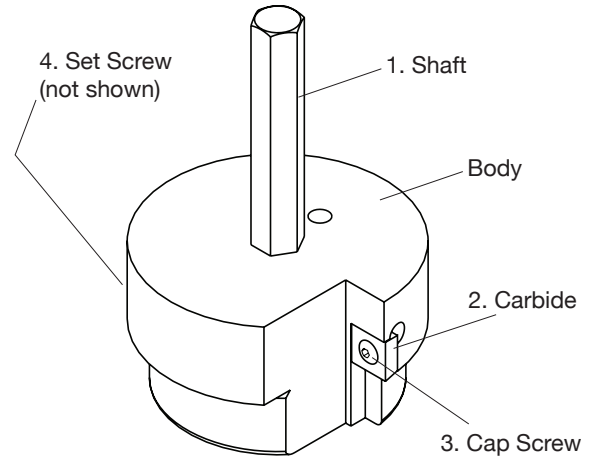
0223-54521
See Also: RP-103



Clean Ream Extreme®

Parts

PPR75, PPR100, PPR125, PPR150, PPR200, PPR250, PPR300, PPR400



Parts List

Ref. No.	Description	3/4" - 1"	1-1/4" - 4"	Qty.
1	SHAFT	44525	44524	1
2	CARBIDE INSERT	24523	24524	1
3a	8-32 CAP SCREW	—	24525	1
3b	4-40 CAP SCREW	24522	—	1
4	1/4" - 20 SET SCREW	30087	30087	1

Rotate Carbide Insert: Carbide insert has four cutting edges. Change cutting edge by removing the cap screw and rotating the carbide 180° then reinsert cap screw and tighten. Replace carbide as needed.

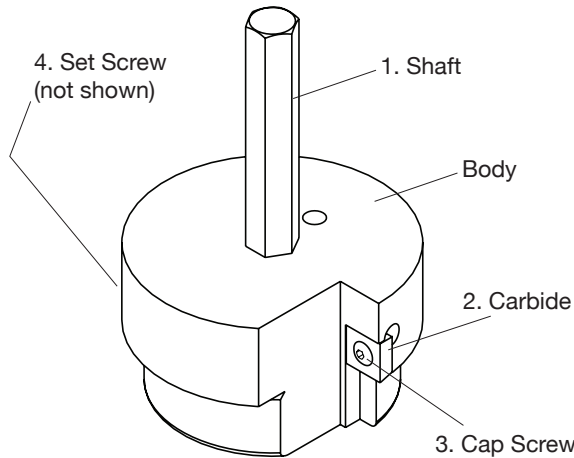
0223-54521
See Also: RP-103



Clean Ream Extreme®

Parts

PPR75, PPR100, PPR125, PPR150, PPR200, PPR250, PPR300, PPR400



Parts List

Ref. No.	Description	3/4" - 1"	1-1/4" - 4"	Qty.
1	SHAFT	44525	44524	1
2	CARBIDE INSERT	24523	24524	1
3a	8-32 CAP SCREW	—	24525	1
3b	4-40 CAP SCREW	24522	—	1
4	1/4" - 20 SET SCREW	30087	30087	1

Rotate Carbide Insert: Carbide insert has four cutting edges. Change cutting edge by removing the cap screw and rotating the carbide 180° then reinsert cap screw and tighten. Replace carbide as needed.

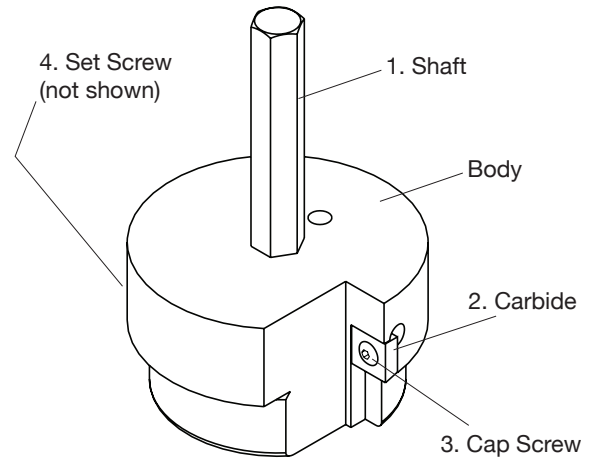
0223-54521
See Also: RP-103



Clean Ream Extreme®

Parts

PPR75, PPR100, PPR125, PPR150, PPR200, PPR250, PPR300, PPR400



Parts List

Ref. No.	Description	3/4" - 1"	1-1/4" - 4"	Qty.
1	SHAFT	44525	44524	1
2	CARBIDE INSERT	24523	24524	1
3a	8-32 CAP SCREW	—	24525	1
3b	4-40 CAP SCREW	24522	—	1
4	1/4" - 20 SET SCREW	30087	30087	1

Rotate Carbide Insert: Carbide insert has four cutting edges. Change cutting edge by removing the cap screw and rotating the carbide 180° then reinsert cap screw and tighten. Replace carbide as needed.

0223-54521
See Also: RP-103