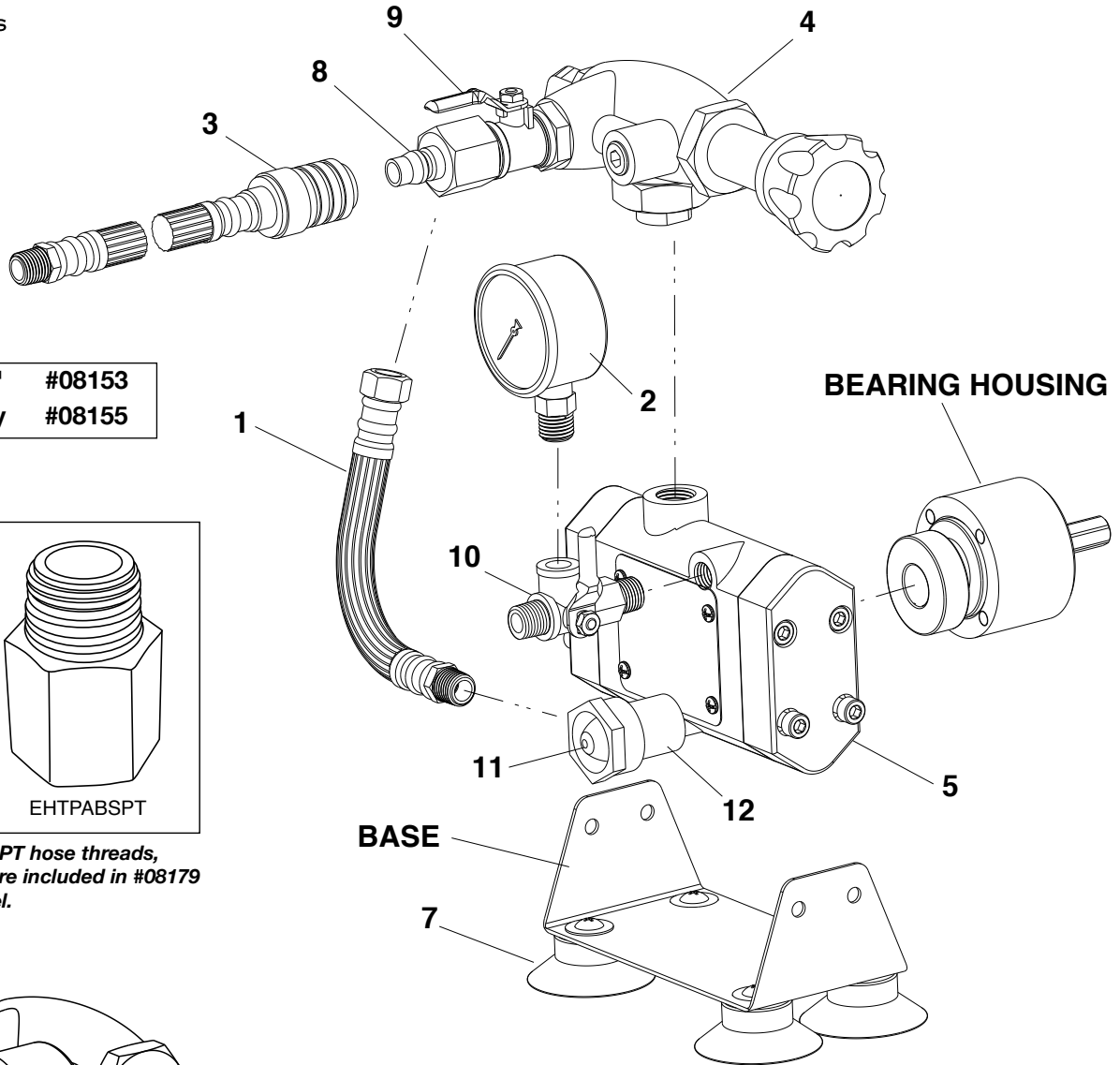




PIPE TOOLS & VISES  
SINCE 1896

# Drill Powered Test Pump - DPHTP500

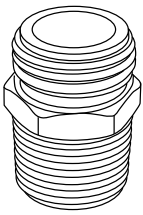
## Replacement Parts



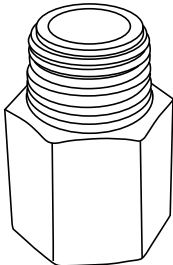
### OPTIONAL HOSES

Input Hose	10'	#08153
Strainer Assembly		#08155

#98178 includes

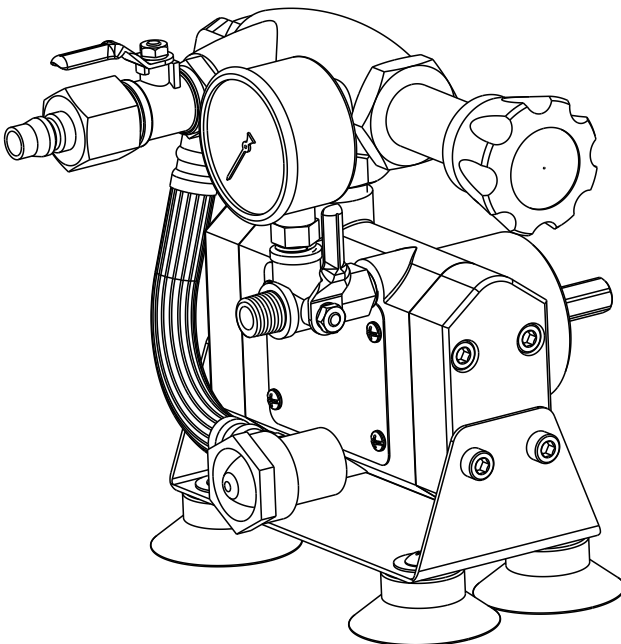


EHTPANPT



EHTPABSPT

To use the pump with BSPT hose threads, add 98178. These parts are included in #08179 DPHTP500E export model.



## Parts List

Ref. No.	Description	Item Code	Qty. Used
1	Bypass Hose	48183	1
2	Pressure Gauge	48185	1
3	High Pressure Output Hose	08172	1
4	Regulator Assembly	48189	1
5	Pump Assembly	48188	1
6	Seal Kit (Not Shown)	48181	1
7	Pump Feet	48190	4
8	1/2" Male Quick Connect	48200	1
9	1/2" High Pressure Valve	48201	1
10	3-Way Valve	48202	1
11*	Hose Washer/Screen	48203	1
12	Intake Hose Fitting	48204	1

\*Sold in packs of 3 screens / priced per screen

Reed Manufacturing Company  
1425 West 8th Street  
Erie, PA 16502 USA

**QUALITY**  
& Service  
that Last a Lifetime

Phone: 800-666-3691 or 814-452-3691  
Fax: 800-456-1697 or 814-455-1697  
www.reedmfgco.com

RP-0619-124